

HD VIDEO CONFERENCE CAMERA *IT-FHDCC15 Series*

Lifelike and Crystal Clear Image Effect

Strong Sense of Depth

High Resolution

Fantastic Color Rendition



Full HD Image

Multiple Optical Zoom Lens

Rich Video Interfaces

Advanced ISP Technology and Algorithm

Stable and Reliable, Perfect Compatibility

Convenient Installation and Maintenance

IT-FHDCC15 Series

Camera Parameter

Model:	IT-FHDCC15-05	IT-FHDCC15-10	IT-FHDCC15-12	IT-FHDCC15-20
Optical Zoom:	5X, f=3.1~15.5mm	10X, f=4.7~47mm	12X, f=3.9~46.8mm	20X, f=5.2~98mm
View Angle:	20°(tele)--83.7°(wide)	6.43°(tele)--60.9°(wide)	6.3°(tele)--72.5°(wide)	3.3°(tele)--54.7°(wide)
Iris:	F1.8 – F2.8	F1.6 – F3.0	F1.8 – F2.4	F1.6 – F3.5

Sensor:	1/2.8 inch high quality HD CMOS sensor	Video Format:	
Effective Pixels:	16: 9, 2.07MP	HDMI/SDI/HDBaseT video format:	1080P60/50/30/25/59.94/29.97, 1080I60/50/59.94,
Digital Zoom:	10X	1080P60/50/30/25/59.94/29.97	
Minimum Illumination:	0.5Lux (F1.8, AGC ON)	USB3.0 interface video format:	
DNR:	2D & 3D DNR	1) USB3.0: 1920X1080P60/50/30/25, 1280X720P30/25/15/10,	
White Balance:	Auto / Manual/ One Push/ 3000K/ 3500K/4000K/4500K/5000K/ 5500K/6000K/6500K/7000K	2) USB3.0 compatible with USB2.0: 960X540P30,640X360P30,	
Iris/Electronic Shutter:	Auto/Manual	1280X720P10/15, 720X576P30, 720X480P30, 800X600P30	
Focus:	Auto/Manual/One Push	USB2.0 interface video format: 176x144/320x240/320x180/ 352x288/640x480/720x480/720x576/640x360/800X600/ 960X540/1024X576/1024X768/1280X720/ 1920X1080P30/25/20/15/10/5	
BLC:	ON/OFF		
WDR:	OFF/ Dynamic level adjustment		
Video Adjustment:	Brightness, Color, Saturation, Contrast, Sharpness, B/W mode, Gamma curve		
SNR:	>55dB		

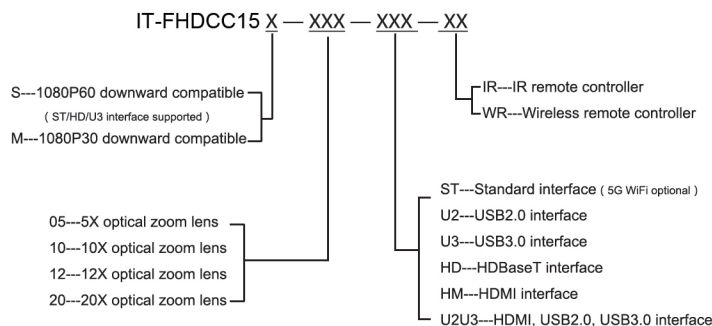
Input /Output Interface

Video Interfaces:	IT-FHDCC15-05/10/12/20-ST Model: HDMI, 3G –SDI, LAN, RS232(in&out), RS485, A-IN IT-FHDCC15-05/10/12/20-U2 Model: USB2.0, LAN, RS232(in&out), A-IN IT-FHDCC15-05/10/12/20-U3 Model: USB3.0, LAN, RS232(in&out), A-IN IT-FHDCC15-05/10/12/20-HD Model: HDBaseT, LAN, RS232(in), A-IN IT-FHDCC15-05/10/12/20-HM Model: HDMI, LAN, RS232(in) IT-FHDCC15-05/10/12/20-U2U3 Model: HDMI, USB2.0, USB3.0, LAN, RS232(in)
Video Compression Format:	H.264, H.265, Dual stream output
Control Protocol:	VISCA/Pelco-D/Pelco-P, Baud Rate:115200/9600/4800/2400
Audio Input Interface:	Double track 3.5mm linear input
Audio Compression Format:	AAC/MP3 Audio compression/G.711A
LAN Port:	100M IP port(100BASE-TX), Support VISCA protocol control through IP port.
Network Protocol:	RTSP, RTMP, ONVIF, GB/T28181
Power Interface:	HEC3800 outlet (DC12V)

PTZ Parameter & Other Parameter

Pan/Tilt Rotation	±170°, -30°~+90°
Pan Control Speed	0.1 ~60°/sec
Tilt Control Speed	0.1~30°/sec
Preset Speed	Pan: 60°/sec, Tilt: 30°/sec
Preset Number	255 presets (10 presets by remote controller)
Power Adapter	AC110V-AC220V to DC12V/1.5A
Dimension	150mmX150mmX167.5mm
Weight	1.4KG
Remote Operation (IP)	Remote Upgrade, Reboot and Reset

Order No.



Intellisystem Technologies S.r.l.

Via Augusto Murri, 1 – 96100 Siracusa
Phone +39 (0)931-1756256 / +39 (0)2-87167549 - Mobile (+39) 335 1880035
em@il: info@intellisystem.it WEB: http://www.intellisystem.it

